

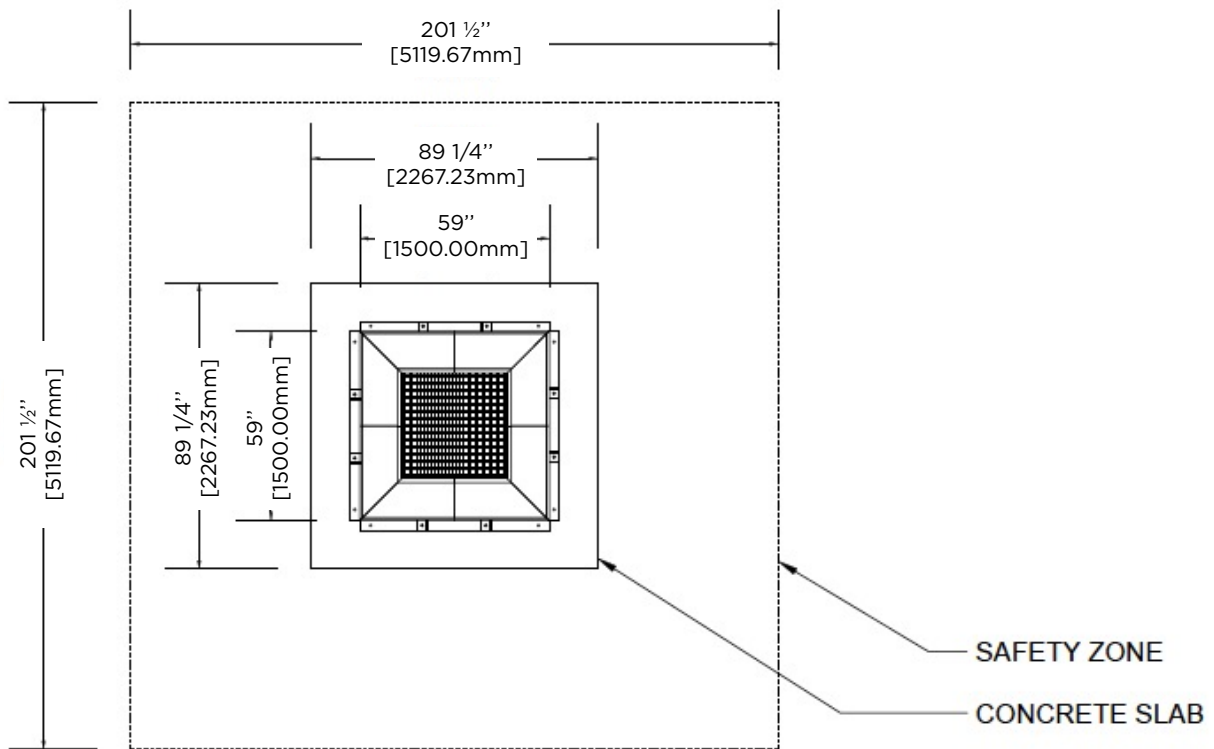
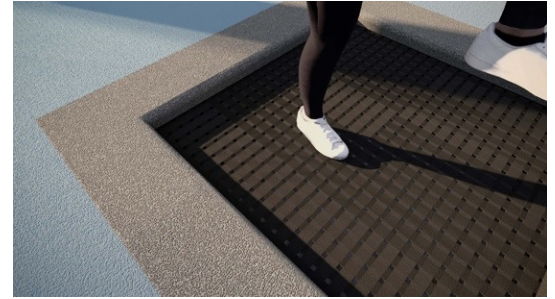
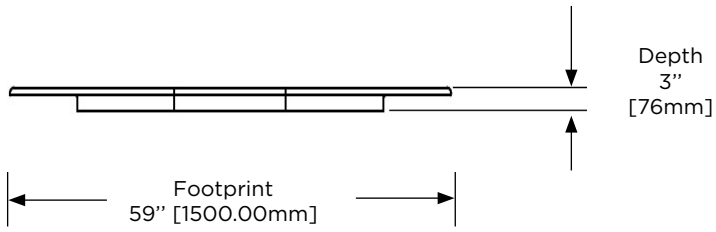


GETTING THE JUMP ON FITNESS

- Add a cardio station to any Fitness Circuit or Combo.
- Complete with instructional panels specific to cardio & strength exercises.
- Ground-level for maximum safety. Ideal for schools and public parks.
- Resistant and durable. Comes with winter cover.
- Made from:
 - Galvanized steel casing & springs.
 - UHMWPE straps reinforced with stainless steel cables covered with polyurea.
 - EPDM rubber absorption mat.
- Offered in 2 distinct formats:
 - FitTrampoS: 5' x 5'
 - FitTrampoM: 6' x 6'

FitTrampoS

5' X 5'



FitTrampoM

6' X 6'

